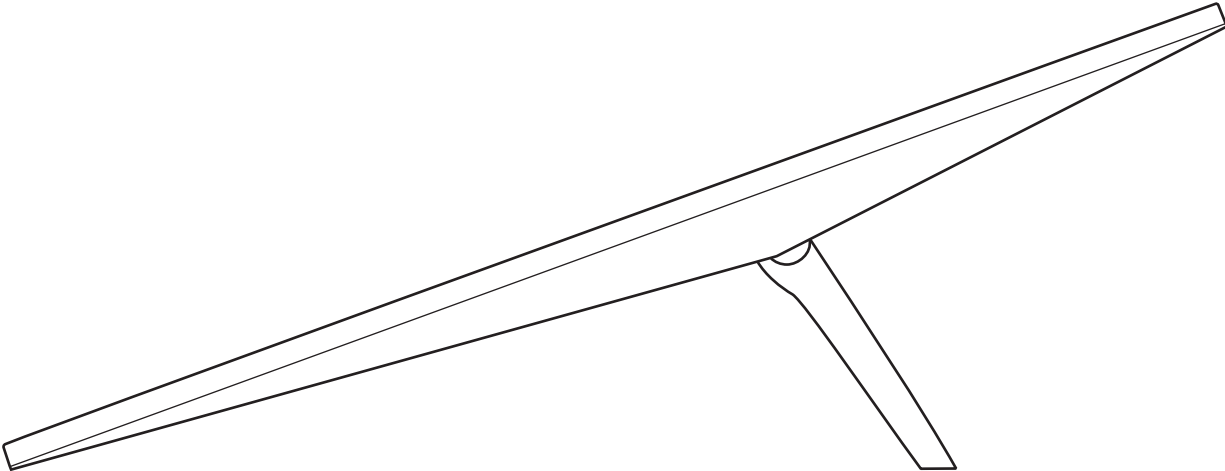
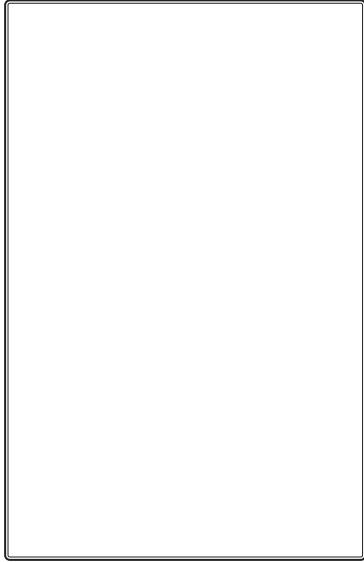


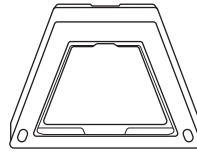
STARLINK | STANDARD 4 X SPECIFICATIONS



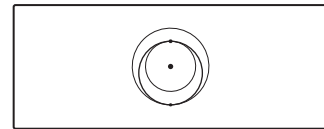
### What's In The Box



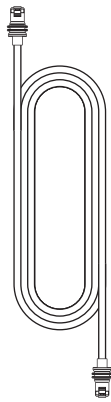
Standard



Kickstand

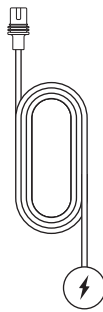


Router 3



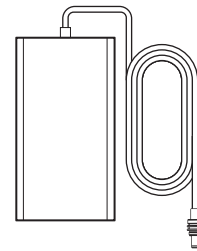
Starlink Cable

15 m  
(49.2 ft)



AC Power Cable

1.5 m  
(4.92 ft)

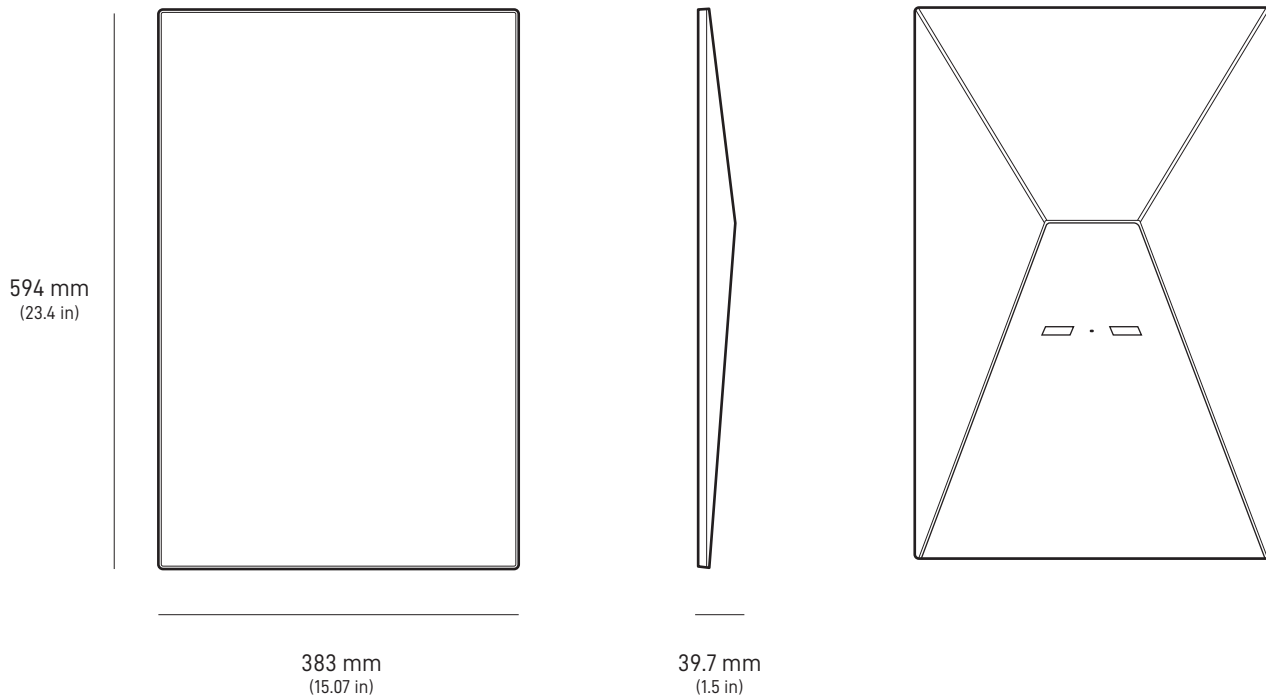


Power Supply

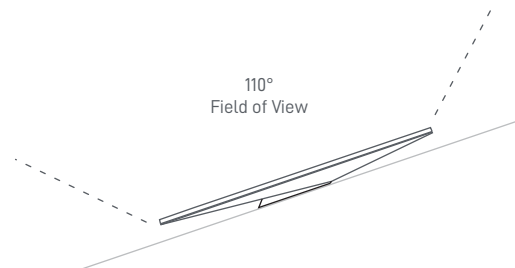
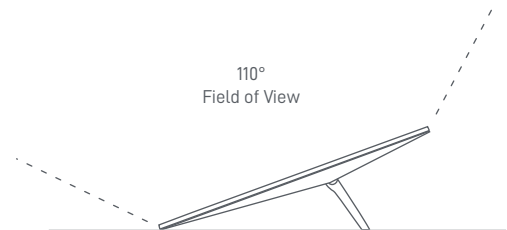
1.5 m  
(4.92 ft)

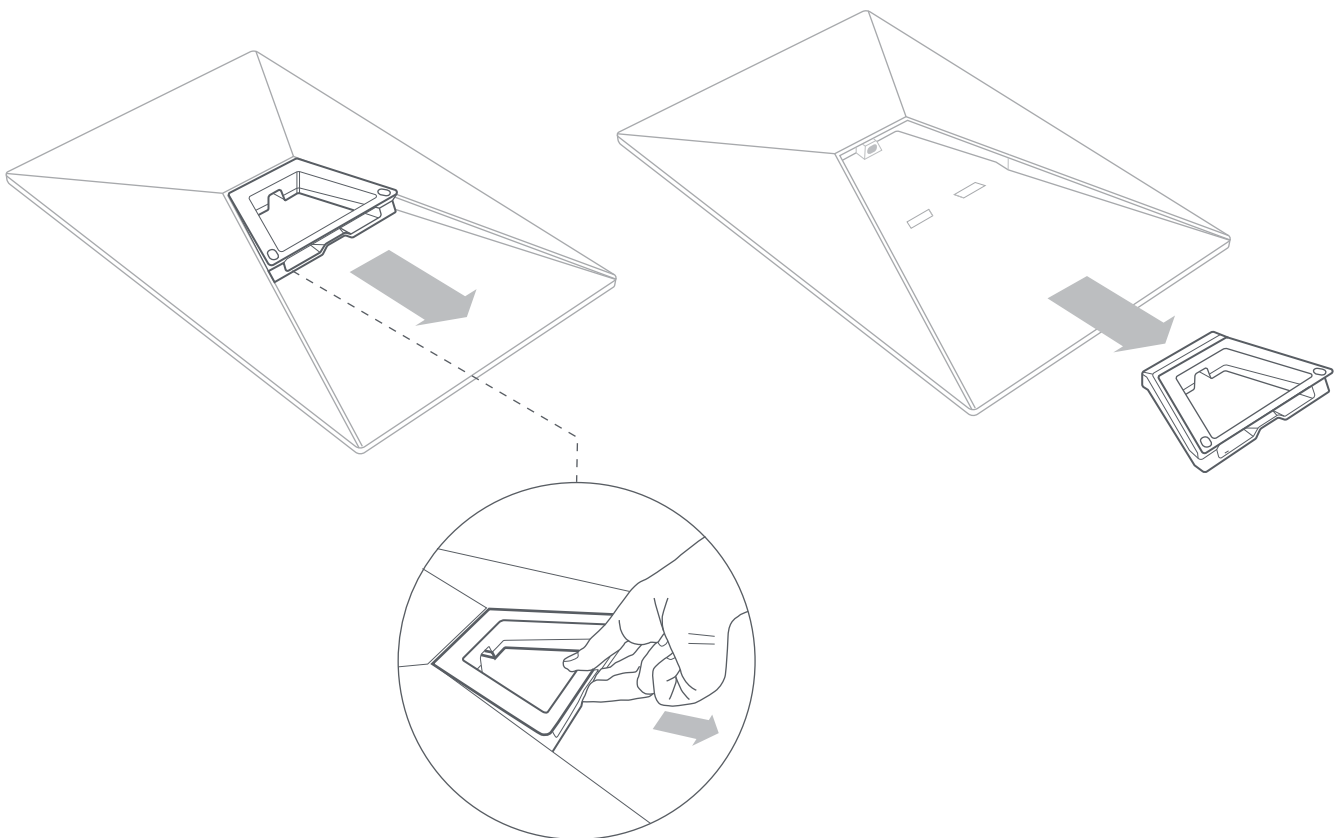
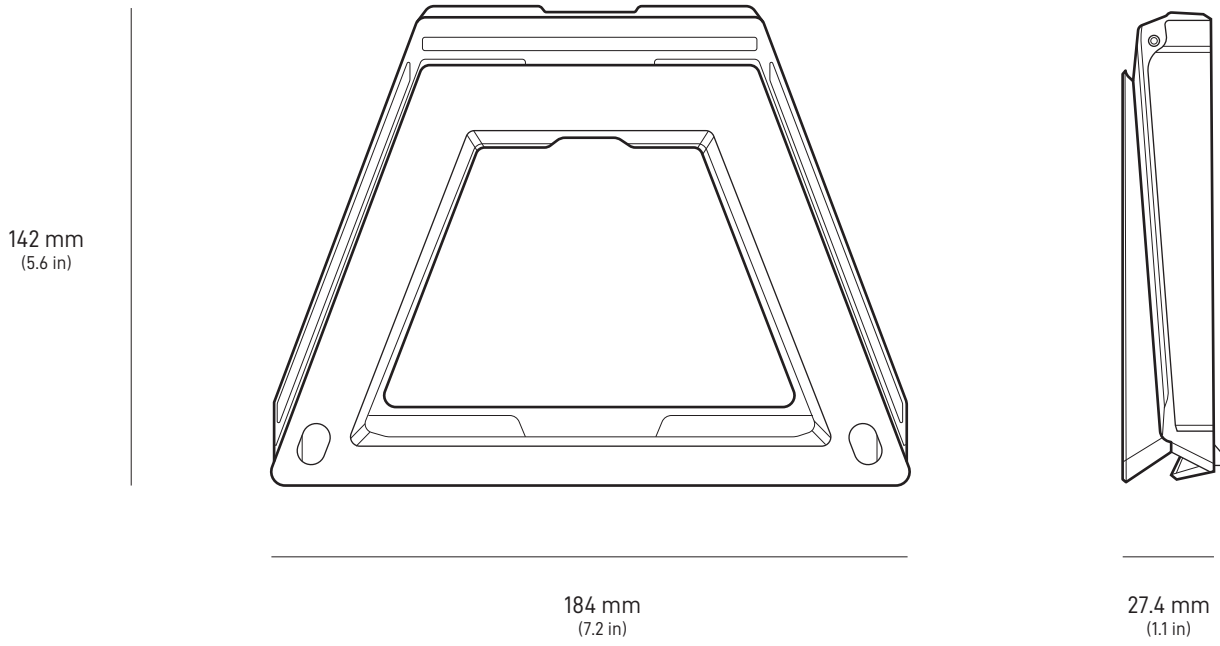
**Package Weight:** 6.73 kg (14.83 lbs)

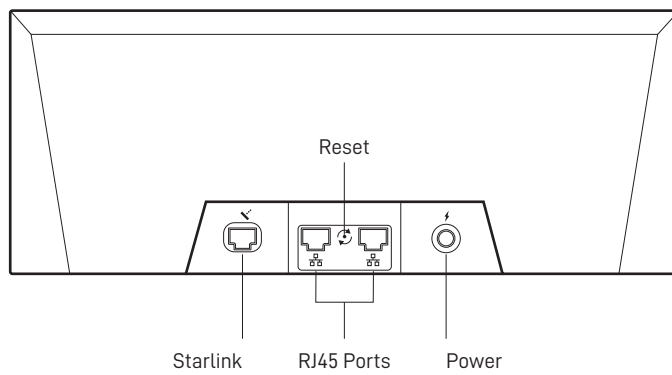
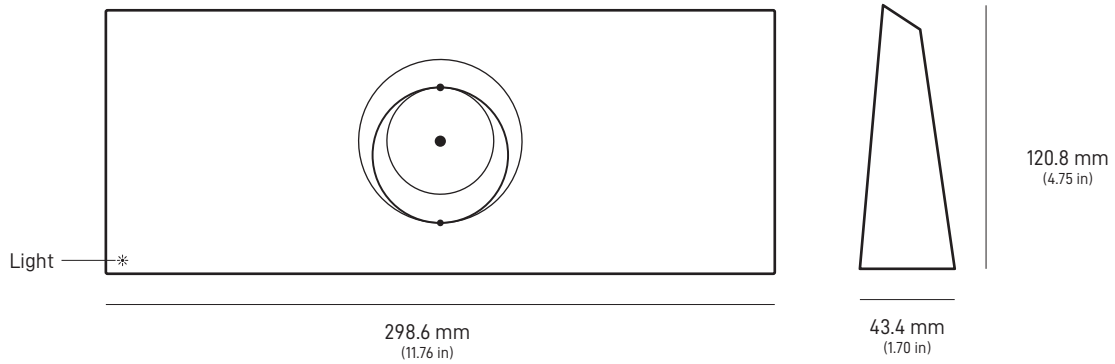
**Package Dimensions:** 652.4 x 451.7 x 97.9 mm (25.69 x 17.78 x 3.84 in)



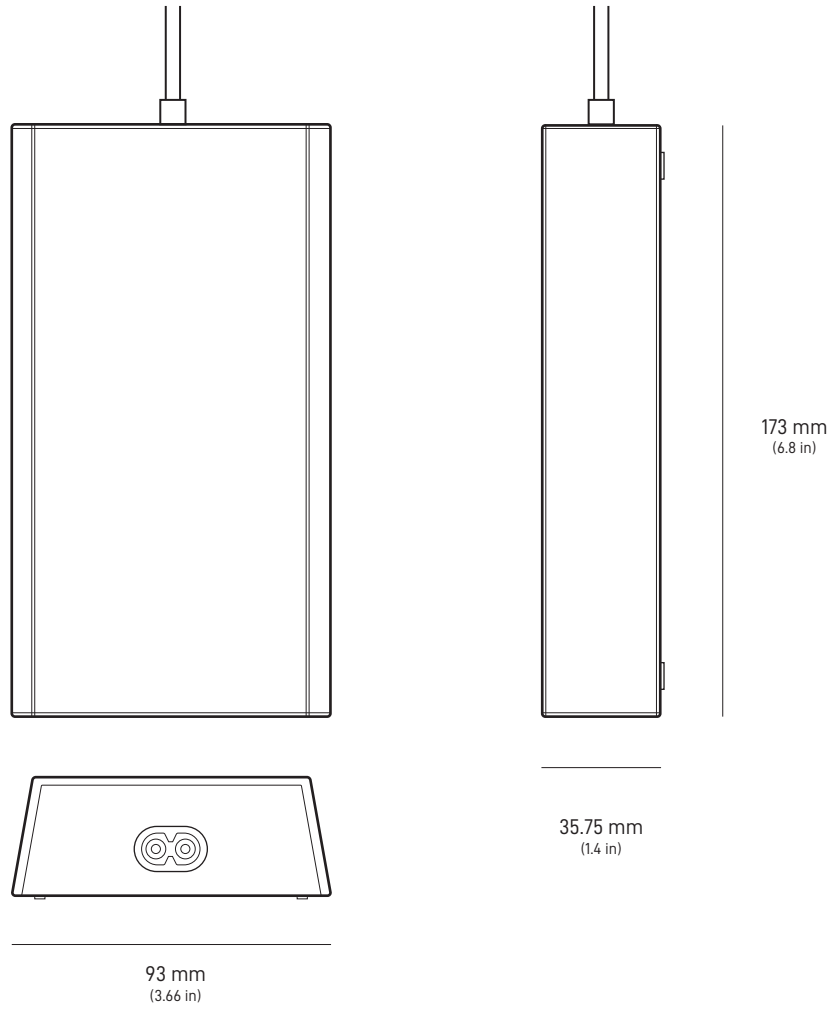
<b>Antenna</b>	Electronic Phased Array
<b>Field of View</b>	110°
<b>Orientation</b>	Software Assisted Manual Orienting
<b>Weight</b>	2.9 kg (6.4 lb) 3.2 kg (7 lb) with Kickstand 3.8 kg (8.3 lb) with Kickstand & 15 m Cable
<b>Environmental Rating</b>	IP67 Type 4
<b>Operating Temperature</b>	-30°C to 50°C (-22°F to 122°F)
<b>Wind Speed</b>	Operational: 96 kph+ (60 mph+)
<b>Snow Melt Capability</b>	Up to 40 mm / hour (1.5 in / hour)
<b>Power Consumption</b>	Average: 75 - 100 W



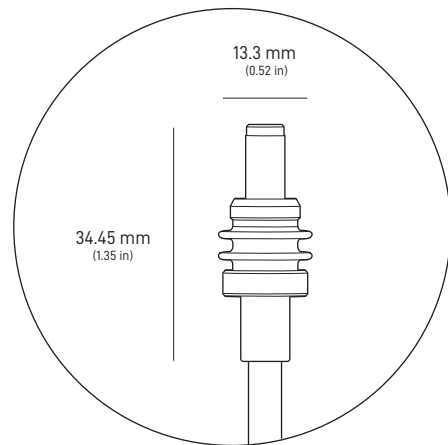


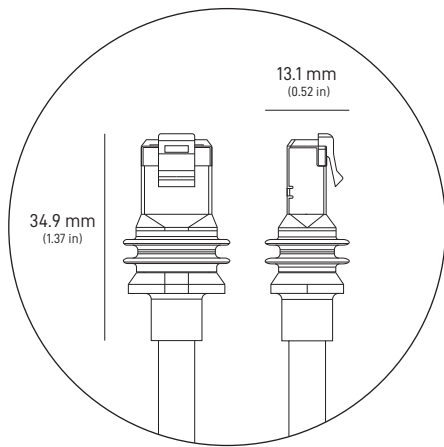
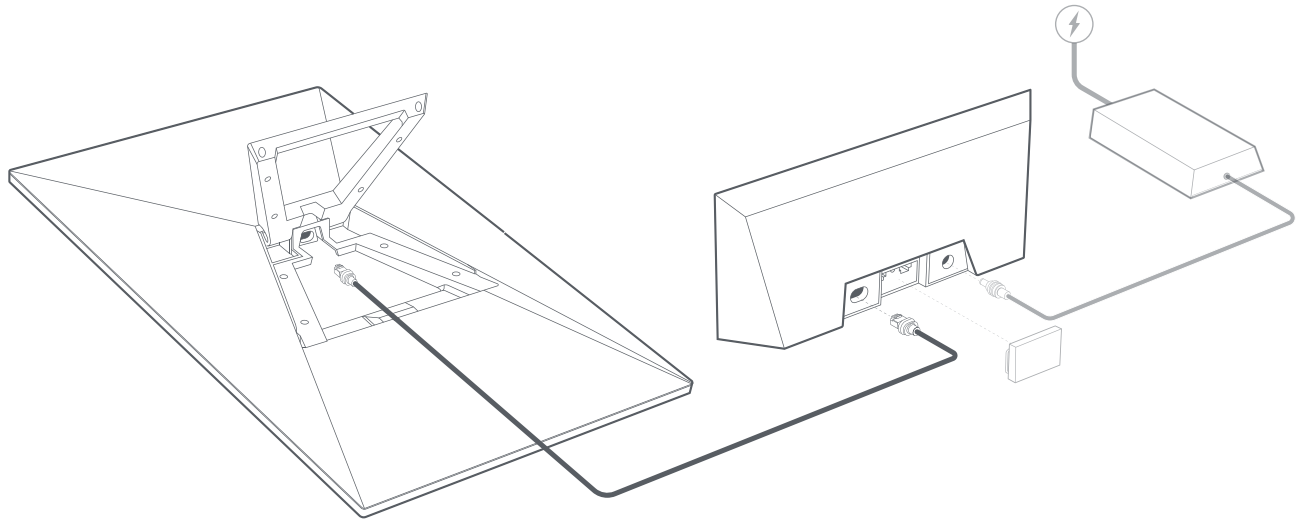


<b>Product Dimensions</b>	43.4 x 298.6 x 120.4 mm (1.7 in x 11.76 in x 4.74 in)
<b>Wi-Fi Technology</b>	802.11 a/b/g/n/ac/ax
<b>Generation</b>	WiFi 6
<b>Radio</b>	Tri Band 4 x 4 MU-MIMO
<b>Ethernet Ports</b>	Two (2) Latching Ethernet LAN ports with removable cover
<b>Coverage</b>	Up to 297 m <sup>2</sup> (3,200 ft <sup>2</sup> )
<b>Operating Temperature</b>	-30°C to 50°C (-22°F to 122°F)
<b>Weight</b>	0.57 kg (1.25 lbs)
<b>Security</b>	WPA2
<b>Environmental Rating</b>	Meets IP56 (water resistant), configured for indoor use
<b>Power Indicator</b>	LED   face plate, lower left corner of router
<b>Mesh Compatibility</b>	Compatible with Starlink Gen 2 and Router 3 Mesh Nodes, up to 3 Starlink Mesh Nodes
	*Not compatible with 3rd party mesh systems
<b>Devices</b>	Connect up to 235 devices



<b>Product Dimensions</b>	173 x 93 x 35.75 mm (6.8 in x 3.66 in x 1.4 in)
<b>Weight</b>	0.65 kg (1.43 lbs)
<b>Environmental Rating</b>	IP66 Type 4
<b>Operating Temperature</b>	-30°C to 60°C (-22 to 140°F)
<b>Power Specifications</b>	100-240V ~ 2.5A 50 - 60 Hz





Pin 1	Wire Color	Pin 2
Shield	Drain - Bare Wire	Shield
8	Brown	8
7	White / Brown	7
6	Green	6
5	White / Blue	5
4	Blue	4
3	White / Green	3
2	Orange	2
1	White / Orange	1

